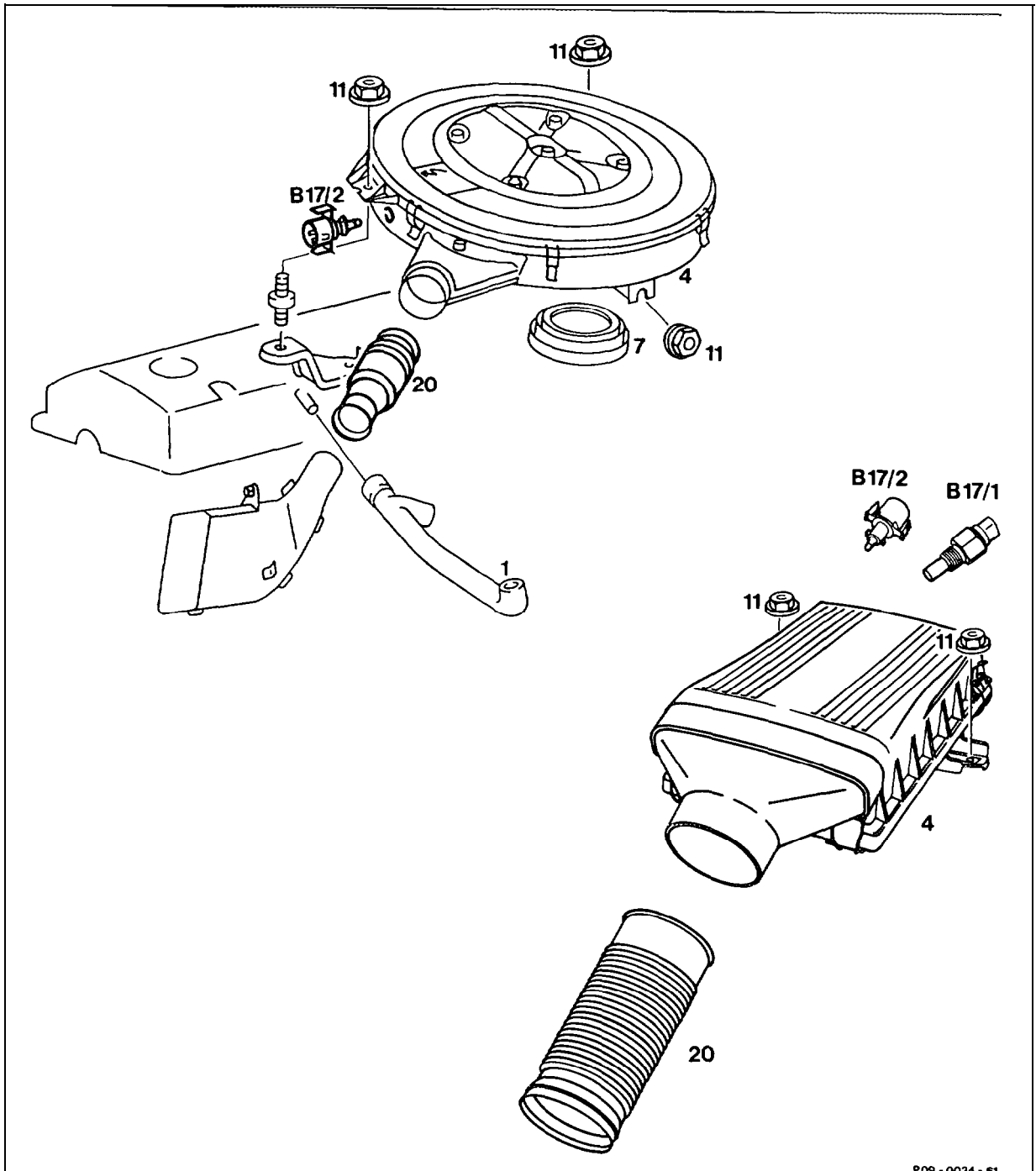




	Job No.
Removal and installation of air cleaner	09 – 400
Replacing intake scoop	09 – 402
Replacing idle air distributor	09 – 410

09-400 Removal and installation of air cleaner



P09 - 0034 - 61

Plastic hose (20)
 Intake air temperature sensor (B17/1,B17/2)
 Fastening nuts (11)
 Shaped hose (1)

 Air cleaner (4)

pull off, fit on.
 pull off connector, fit on.
 unscrew, screw on.
 for crankcase breather, pull off, fit on.

 remove, install. Ensure seal (7) between air flow
 sensor and air cleaner is correctly seated.

Note

The air cleaner is made of plastic (except engine 102.961 up to 09/84: sheet metal).

Since 09/84 the air cleaner top is fitted with 4 fastening nuts and tensioning bars.

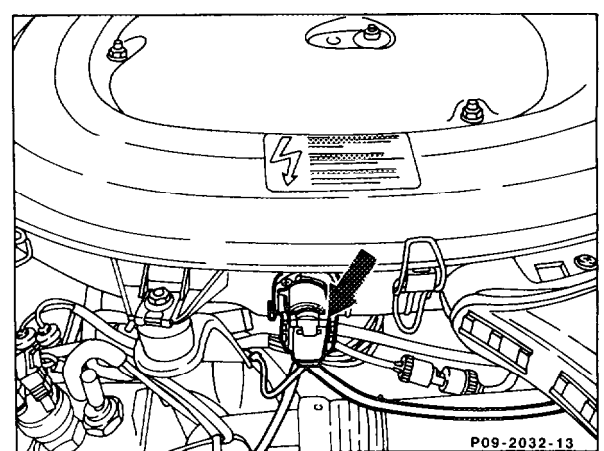
A recess is provided in the air filter top for adjusting the idle mixture.

In the case of vehicles in KAT version, an intake air temperature sensor is positioned in the air filter housing (arrow).

During removal and installation, compress catch and remove by turning.

This influences the CFI system or the distributor ignition system (as of 09/89).

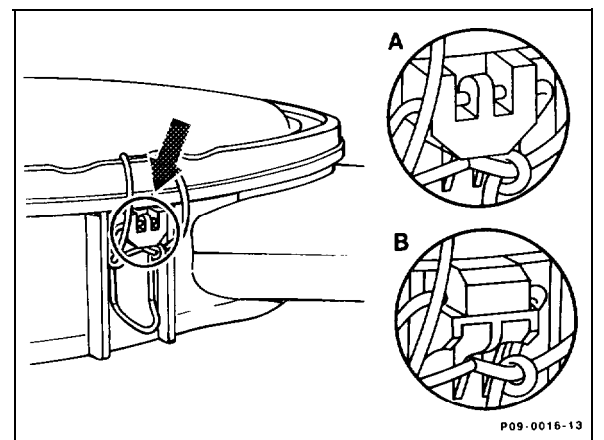
Engine 102.96/98



Air cleaner housing with modified mounting for tensioning bars

As of 03/85 air filter housings with modified mounting for the tensioning bars on the bottom part of the filter have been installed. On filter housings on which the mounting is damaged, the filter bottom part may be replaced separately. Previously, it **was** only possible to replace the complete air cleaner.

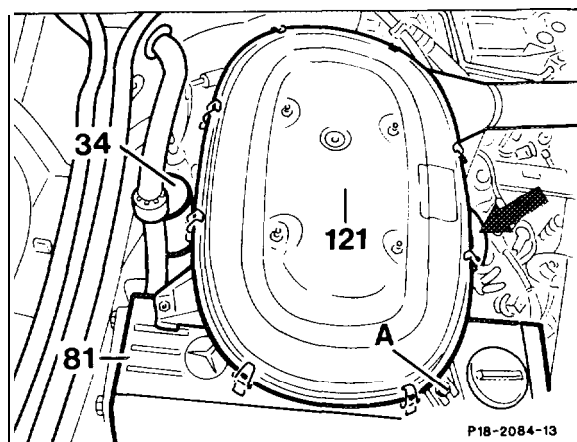
A Mounting, 1 st version
 Et Mounting, 2nd version



Air cleaner housing with modified installation position

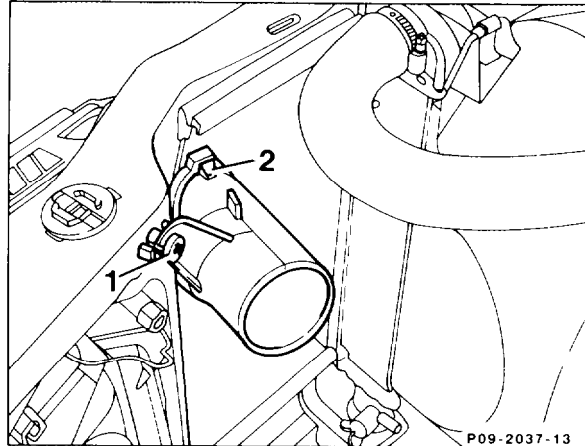
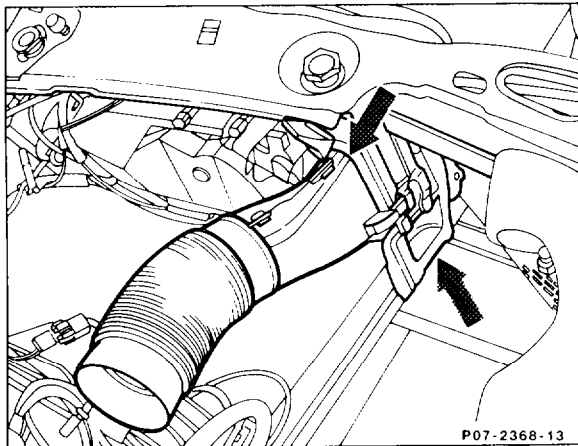
Engines 102.962/963/982/985 RÜF/KAT

Modified air cleaner with new mounting point (A) on cylinder head cover (81, previously intake manifold) and different shaped hose (arrows) for crankcase ventilation because of modified installation position of hose connection at air cleaner. This provides improved access to the oil filter (34).



Model	Engine	Engine end No.		Vehicle ident end No.	
		manual transmission	automatic trans.	A	F
201.028	102.985	025135	074068	451656	516354

09-402 Replacing intake scoop



Model 201

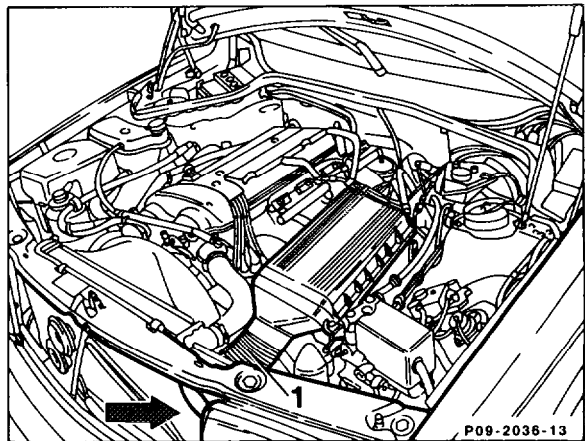
The intake scoop is attached with 2 plastic clips (arrows)

remove plastic clips, insert.

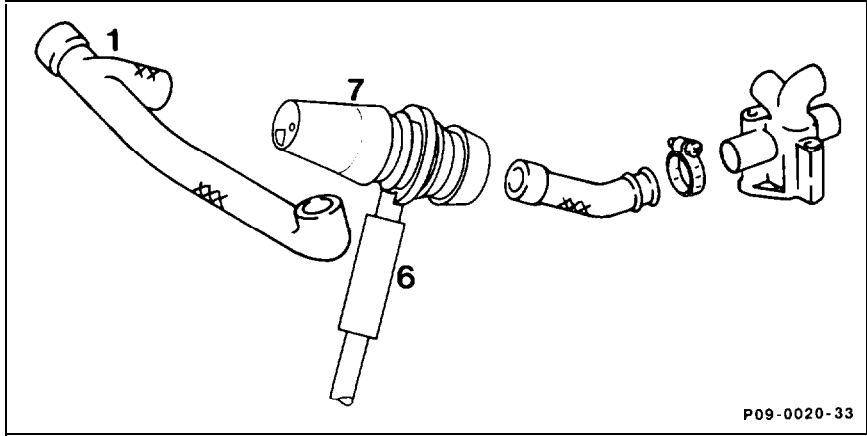
Note

The air is drawn in outside of the engine compartment (arrow) through the plastic scoop.

Engine 102.983 model 201.034 (shown as example)



09- 410 Replacing idle air distributor

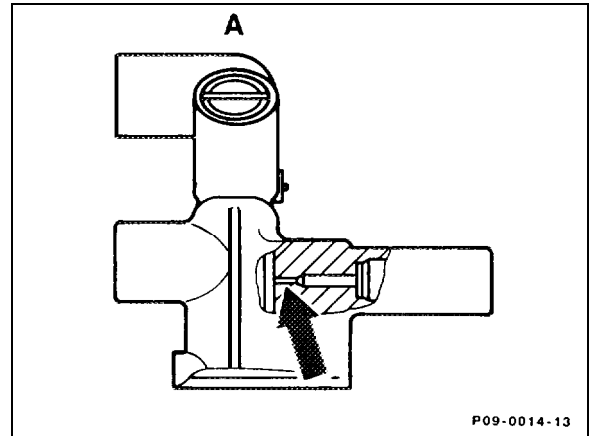


- | | |
|--|--|
| Hose connection fitting (7) | replace. |
| Shaped hose (1) with vent connection | replace. |
| Vent line (6) | connect to diaphragm pressure regulator. |
| Idle air distributor | replace. |

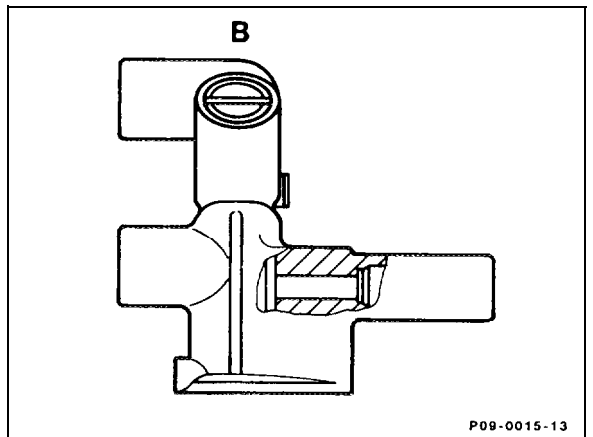
Note

Since 04184 the nozzle (arrow) in the hose connection fitting (7) has been repositioned. For this reason, the hose connection fitting (7) must also be replaced when replacing the idle air valve on vehicles manufactured prior to this date.

A Version up to 03/84



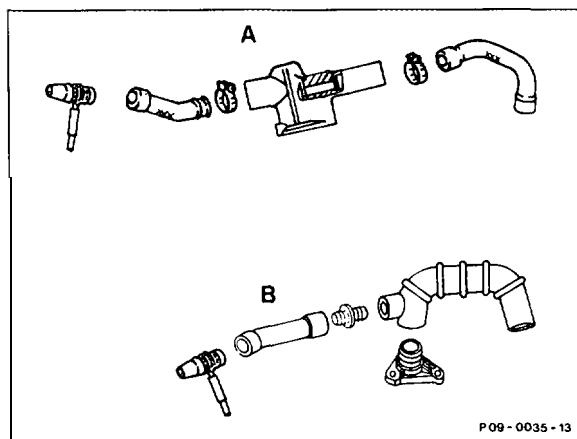
B Version as of 04/84



Engine 102.985

Restriction orifice and hose clips are no longer installed. Modified housing with gasket and shaped hoses.

A Previous version
B Present version



Production breakoint:08/87

Model	Engine	Engine end No. manual transmission	Engine end No. automatic transmission
201.028	102.985	017190	059588

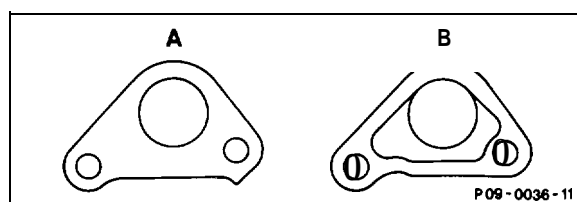
Flange at idle air distributor housing increased to 8 mm (previously 3 mm).

Production breakpoint: 11187

Model	Engine	Engine end No. manual transmission	Engine end No. automatic transmission
201.028	102.985	019774	063164

Shape of gasket and sealing surface on housing modified. Improved sealing.

A Previous version
B Present version



Production breakpoint: 03/88

Model	Engine	Engine end No. manual transmission	Engine end No. automatic transmission
201.028	102.985	023710	070984