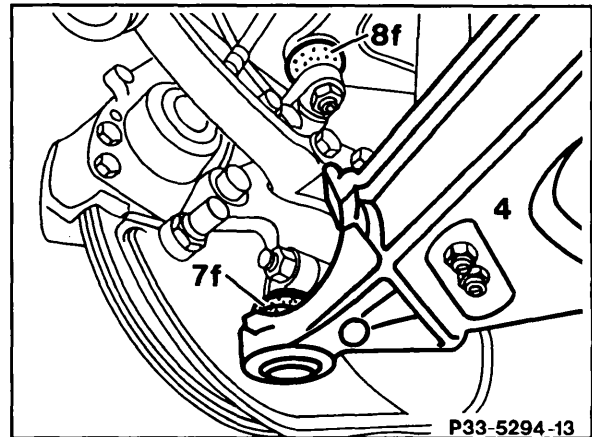


All models

Carefully check condition of ball joint rubber boots.

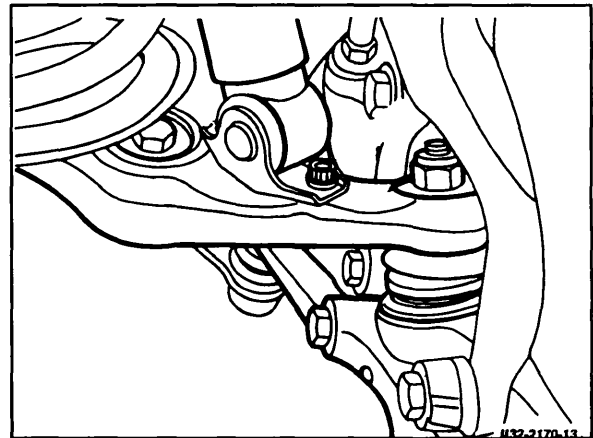
Note: In the event of a leaking rubber boot, replace respective joint or control arm immediately, since any dirt that enters will destroy the joint within a short period. Replacement of a rubber boot is permitted only if it is certain that no dirt has as yet entered the joint.



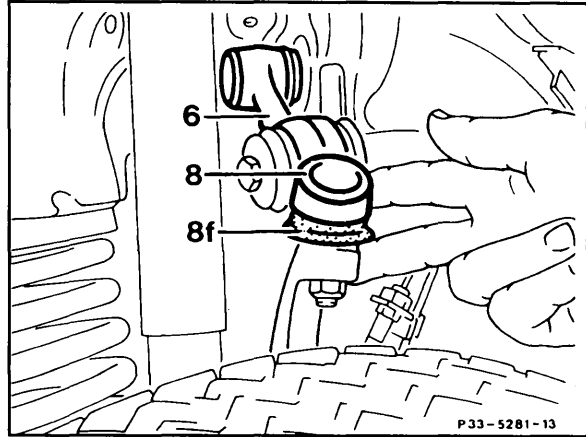
Model 107

7f Supporting ball joint (lower)

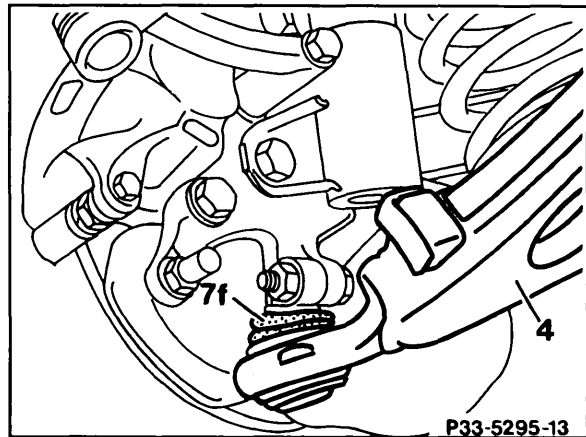
8f Guide ball joint (upper)



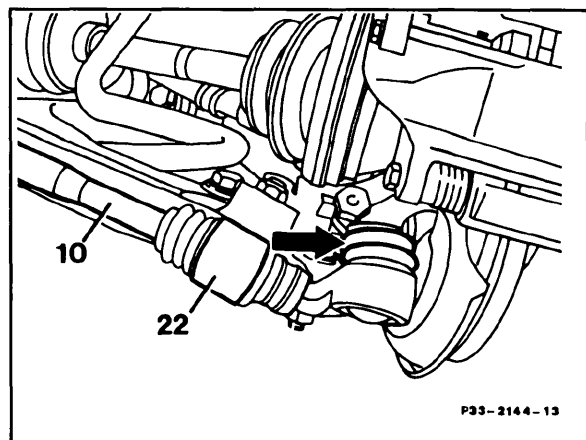
Model 123 and 126 Supporting (lower) ball joint



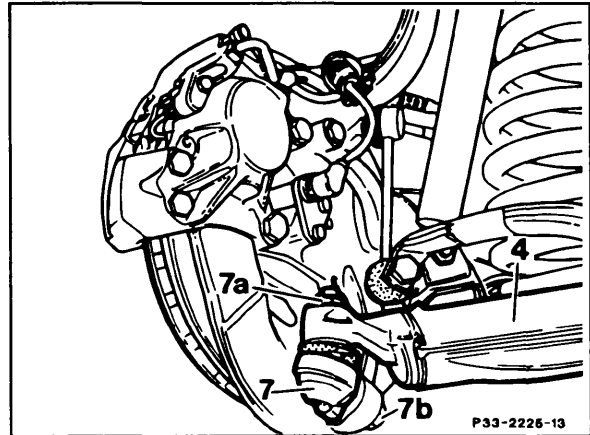
Model 123 and 126 Guide (upper) ball joint



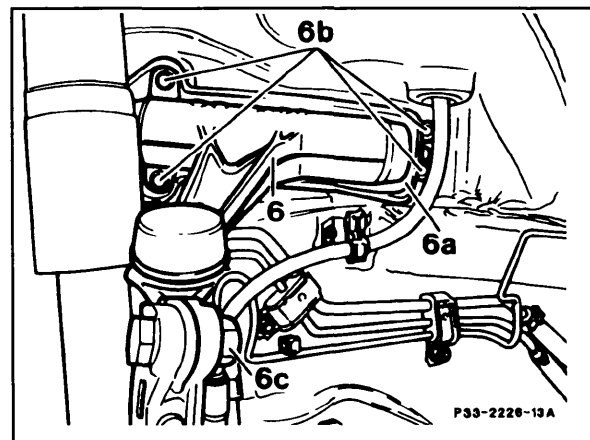
Models 124, 129 and 201 Supporting ball joint



Model 124 4MATIC Supporting ball joint



Model 140 Supporting (lower) ball joint

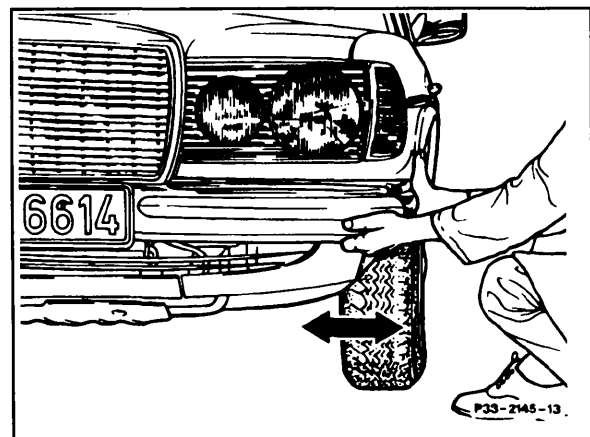


Model 140 Guide (upper) ball joint

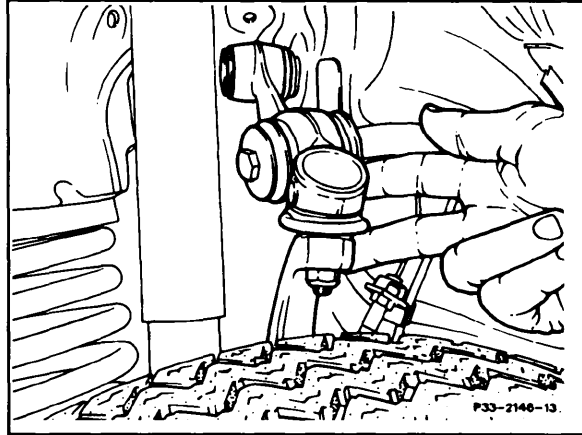
In addition, on models 107, 123, 126 and 140, thoroughly check the guide (upper) ball joint for play.

Models 107, 123, and 126

- Holding the bumper, vigorously shake the vehicle from side to side.



- Have an assistant check for play in ball joint by feeling the ball joint and steering knuckle.
- Repeat procedure on opposite side.
- If ball joint has play, replace upper control arm.



Model 140

- Raise vehicle to unload ball joints.
- Check play by touching upper ball joint (8f) while vigorously pushing and pulling front wheel in and out (arrows).
- Repeat procedure on opposite side.
- If ball joint has play, replace upper control arm.

