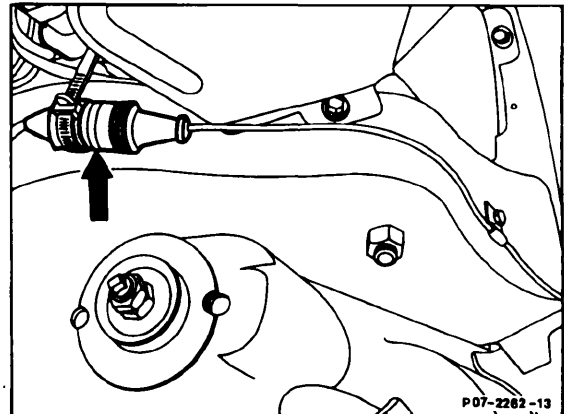


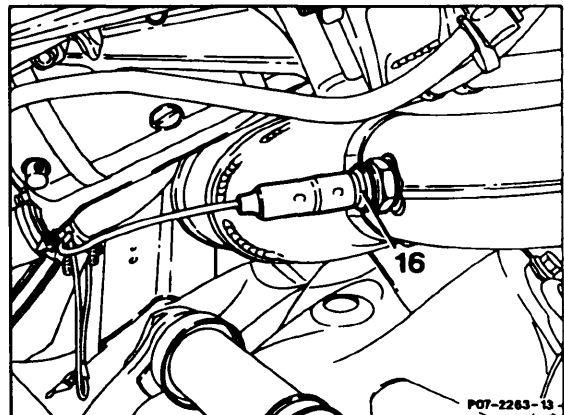
Engine 102 103 110 116 117 119

Model 123

- Disconnect oxygen sensor connector (arrow).
- Loosen oxygen sensor wire retaining clips.

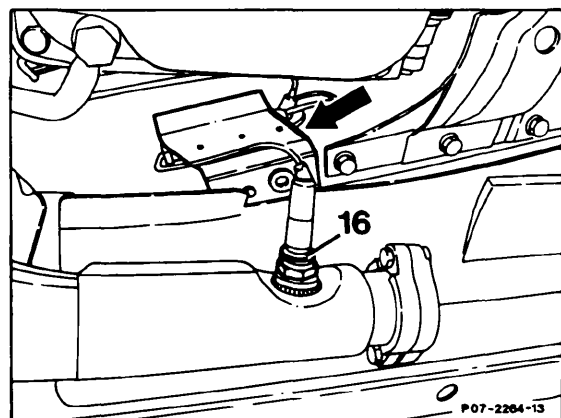


- Unscrew oxygen sensor (16).
- Apply lubricating paste Part no. 000 989 88 51 to threads of new oxygen sensor.
- Install oxygen sensor and torque to approx. 50-60 Nm.
- Remove oxygen sensor warning lamp bulb.

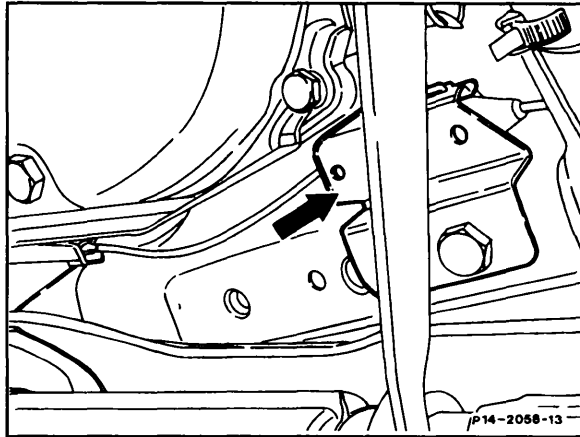


Model 107, 126

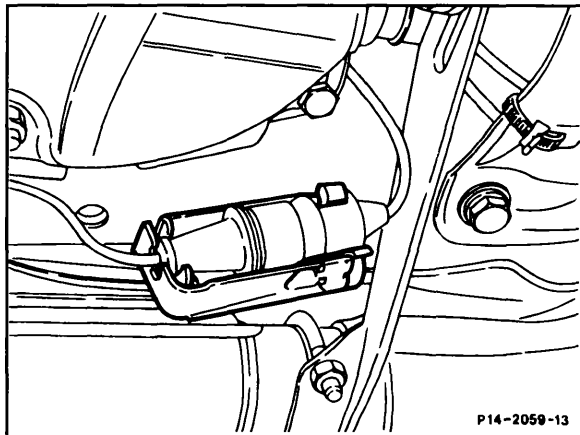
- On model 107, push connector upward out of bracket (arrow) and disconnect.



- On model 126, remove bracket (arrow) and push coupling upward, then disconnect. Remove oxygen sensor wire from retaining bracket.
- Unscrew oxygen sensor.

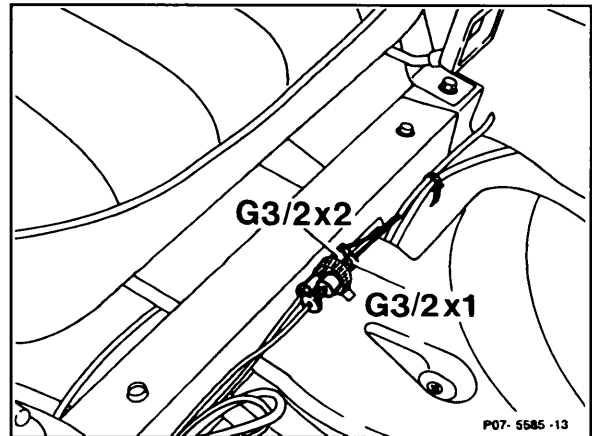


- Apply lubricating paste, part no. 000 989 88 51, to threads of new oxygen sensor.
- Install oxygen sensor and torque to approx. 50-60 Nm.
- Install bracket on model 126, and press wire into retaining strip.
- On 1981-85 models only, remove oxygen sensor warning lamp bulb.

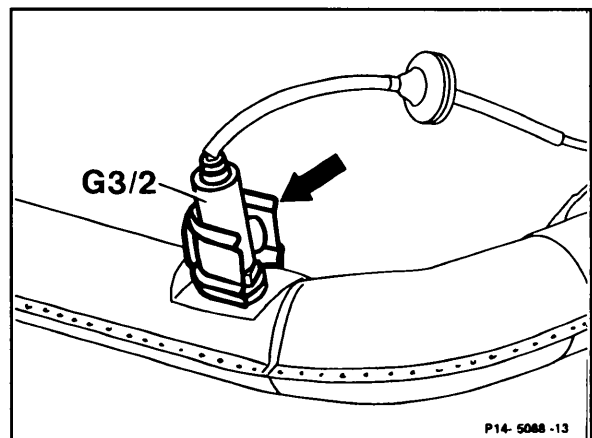


Model 124, 201

- Separate oxygen sensor connector (arrow) and sensor heater connector on right side of vehicle interior.
- Push wire and grommet out through floor pan from inside.



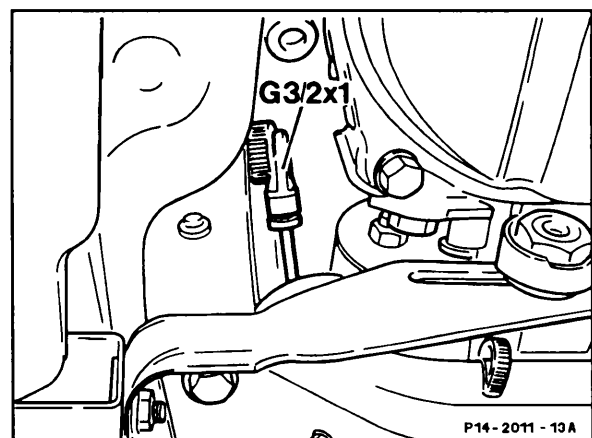
- Remove shield (arrow).
- Unscrew oxygen sensor.
- Apply lubricating paste, part no. 000 989 88 51, to threads of new oxygen sensor.
- Install oxygen sensor and torque to approx. 50-60 Nm.



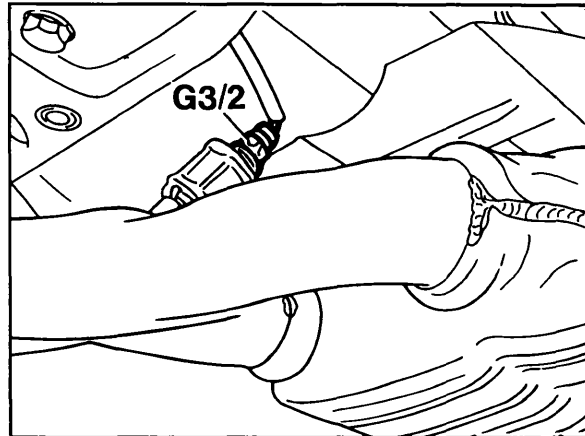
On 1984-86 model 201 only (except 201.034), remove oxygen sensor warning lamp bulb.

Model 129

- The oxygen sensor connector (G3/2x1) is secured to the right side of the transmission tunnel.
- Turn connector nut counterclockwise and separate connector.

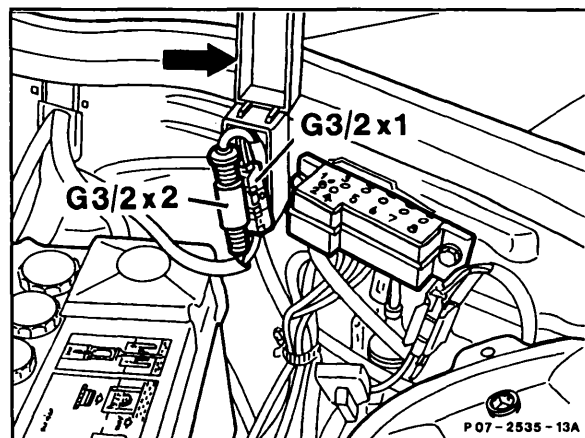


- Unscrew oxygen sensor.
- Apply lubricating paste, part no. 000 989 88 51, to threads of new oxygen sensor.
- Install oxygen sensor and torque to approx. 50-60 Nm.

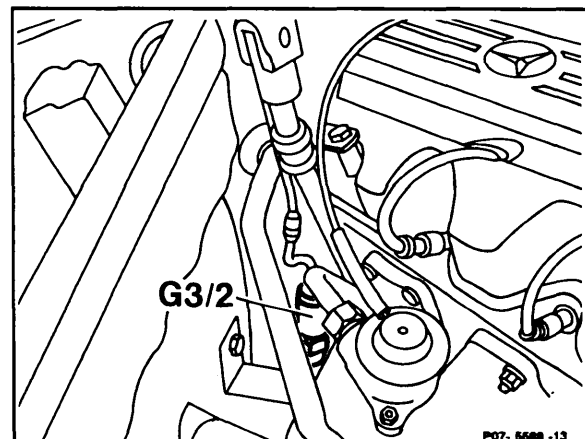


Model 201 with engine 102 California starting model year 1992

- Disconnect oxygen sensor heater coil connector (G3/2x1) and oxygen sensor signal connector (G3/2x2).

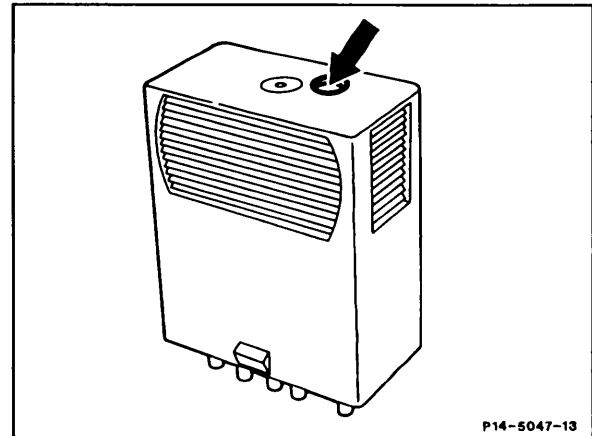


- Unscrew oxygen sensor.
- Apply lubricating paste, part no. 000 989 88 51, to threads of new oxygen sensor.
- Install oxygen sensor and torque to approx. 50-60 Nm.



Maintenance note:

The oxygen sensor must be replaced when the warning lamp illuminates for the first time at 60,000 ± 250 miles. After replacing the sensor, the warning lamp may be switched off via the button (arrow) on the oxygen sensor replacement indicator control module (N44/1). The button must be pressed for longer than 2 seconds to turn off the lamp. In ignition/starter position "2", the lamp remains lit even after resetting the control module. The lamp will only go out after the engine is started (circuit 61 recognition). The previously recorded mileage remains stored. The warning lamp will illuminate for a second time at 120,000 miles.

**Note:**

After the 120,000 mile indication, the on-off ratio should be checked, and the oxygen sensor only replaced if necessary.

If the oxygen sensor is replaced outside of the interval limit, the oxygen sensor replacement indicator control module (N44/1) must be replaced.

Starting model year 1993, the control module can be reset as often as needed.